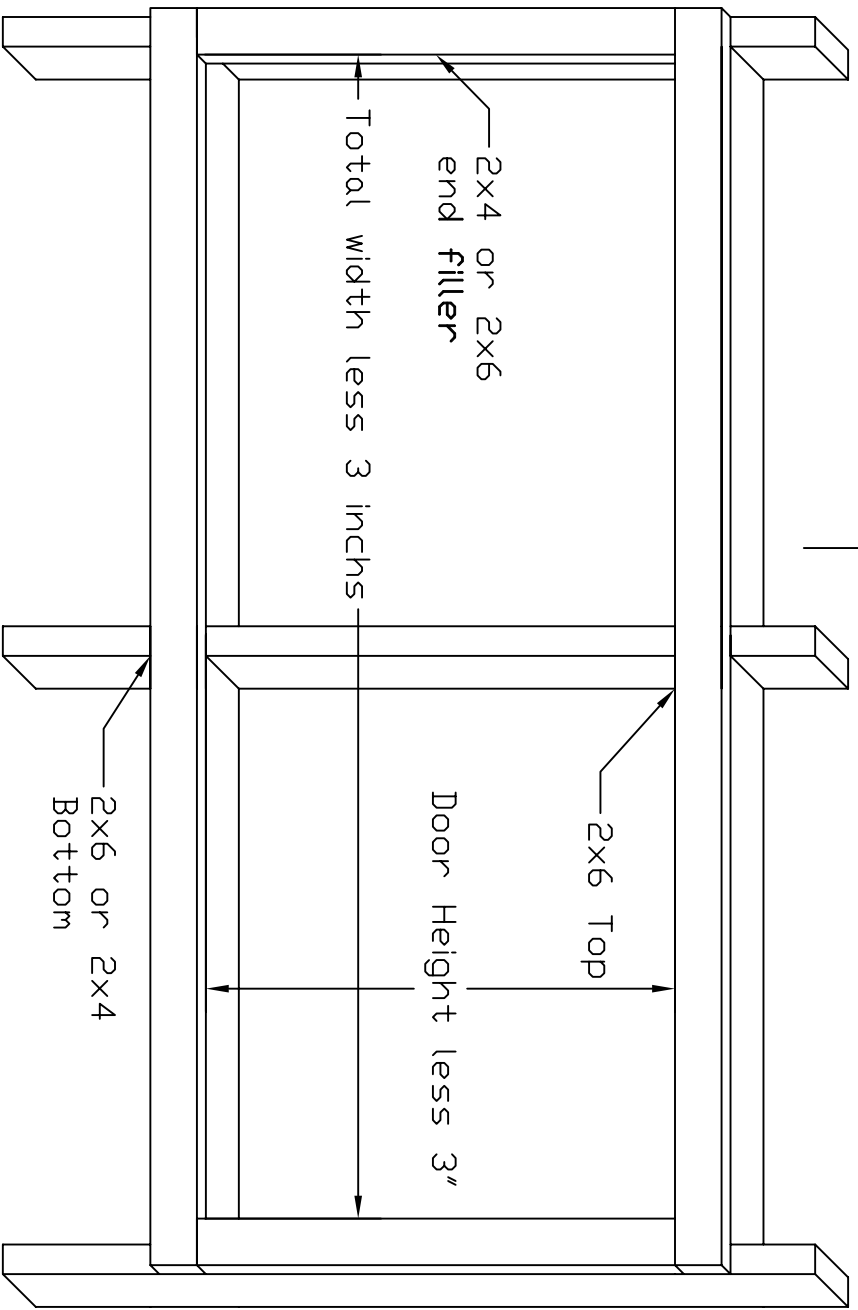


REVISIONS				
ZONE	REV	DESCRIPTION	DATE	APPROVED



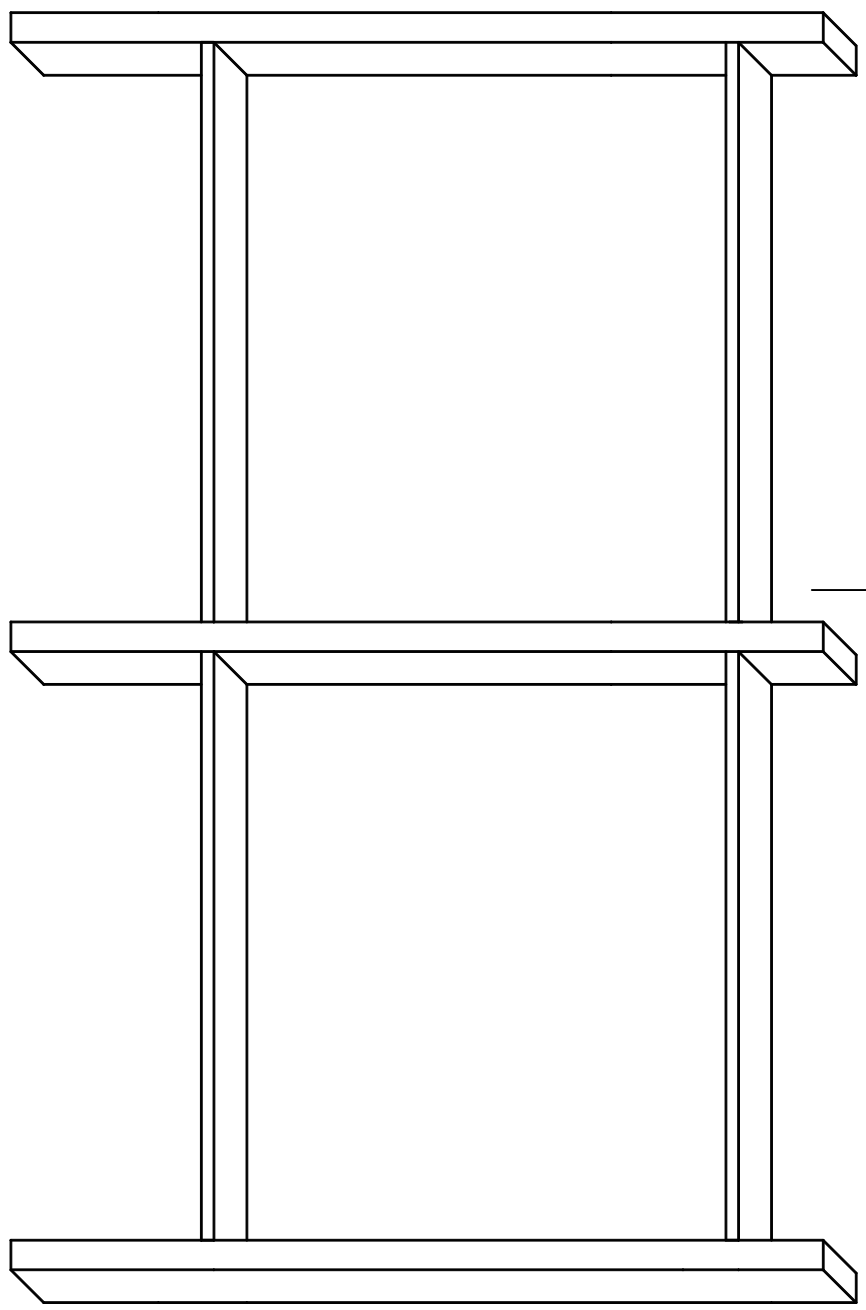
Example  
 59 1/2" Door Frame 56 1/2"  
 48 3/4" Door Frame 45 3/4"

ELLISON &  
 ELLISON CO.

Eagan Tunnel Door  
 Framing Dimensions

J. ELLISON		SIZE A	FSCM NO.	DWG NO. ED-102406	REV
SCALE N/A		10/24/2006	SHEET 1	of 6	

REVISIONS				
ZONE	REV	DESCRIPTION	DATE	APPROVED



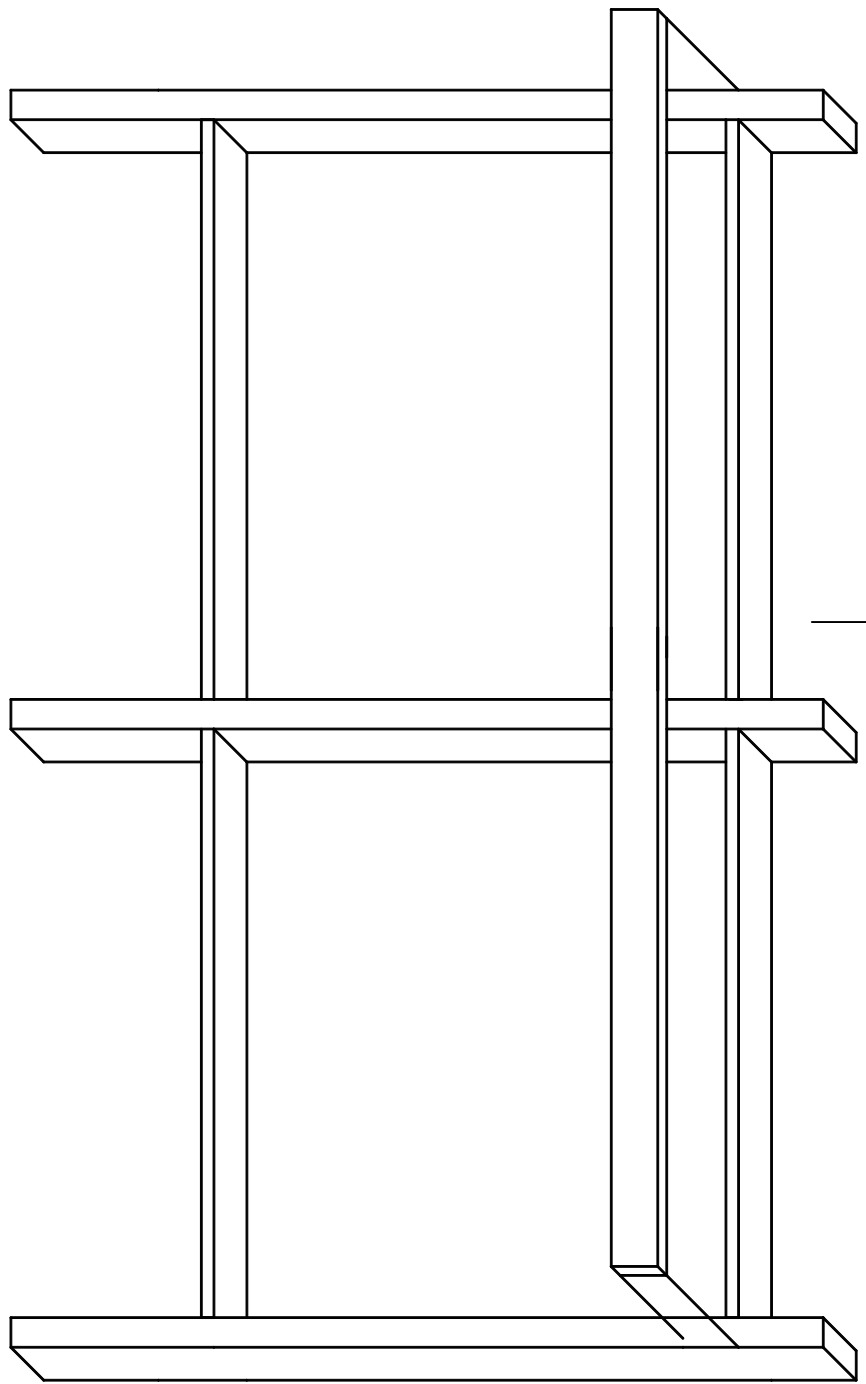
Inside of Post must be sealed. With 2x6 or 2x4 depending on post size

ELLISON &  
ELLISON Co.

Eagan Tunnel Door  
Framing Step One

J. Ellison				
SIZE	FSCM NO.	DWG NO.	REV	
A		ED-102406-1		
SCALE	N/A	10/24/2006	SHEET	2 of 6

REVISIONS				
ZONE	REV	DESCRIPTION	DATE	APPROVED



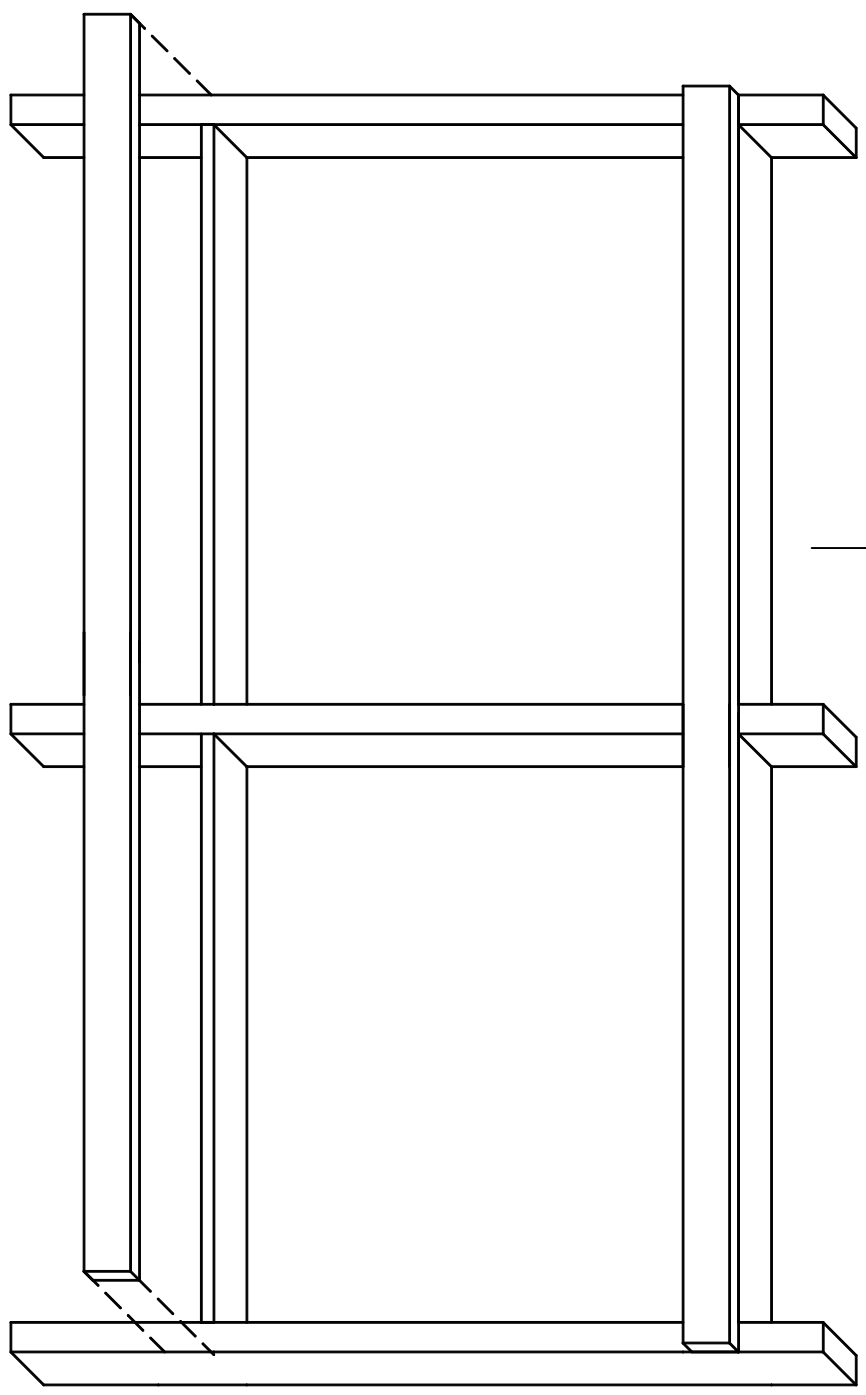
2x6 Board mounted on top of the post

ELLISON &  
ELLISON Co.

Eagan Tunnel Door  
Framing Step Two

J. Ellison		SIZE A	FSCM NO.	DWG NO. ED-102406-2	REV
SCALE	N/A	10/24/2006	SHEET	3 of 6	

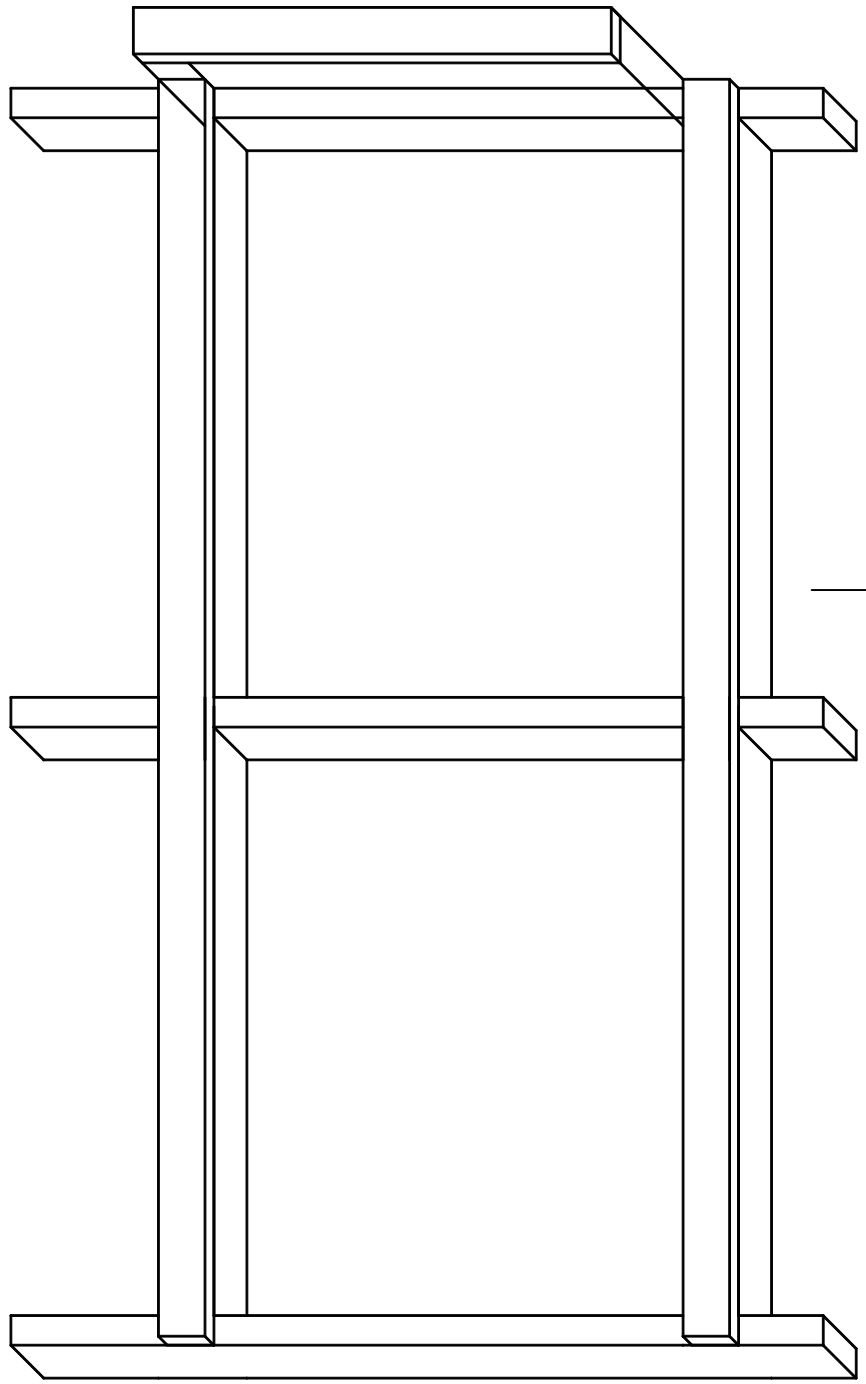
REVISIONS				
ZONE	REV	DESCRIPTION	DATE	APPROVED



2x4 or 2x6 mounted  
on the bottom of the  
framing

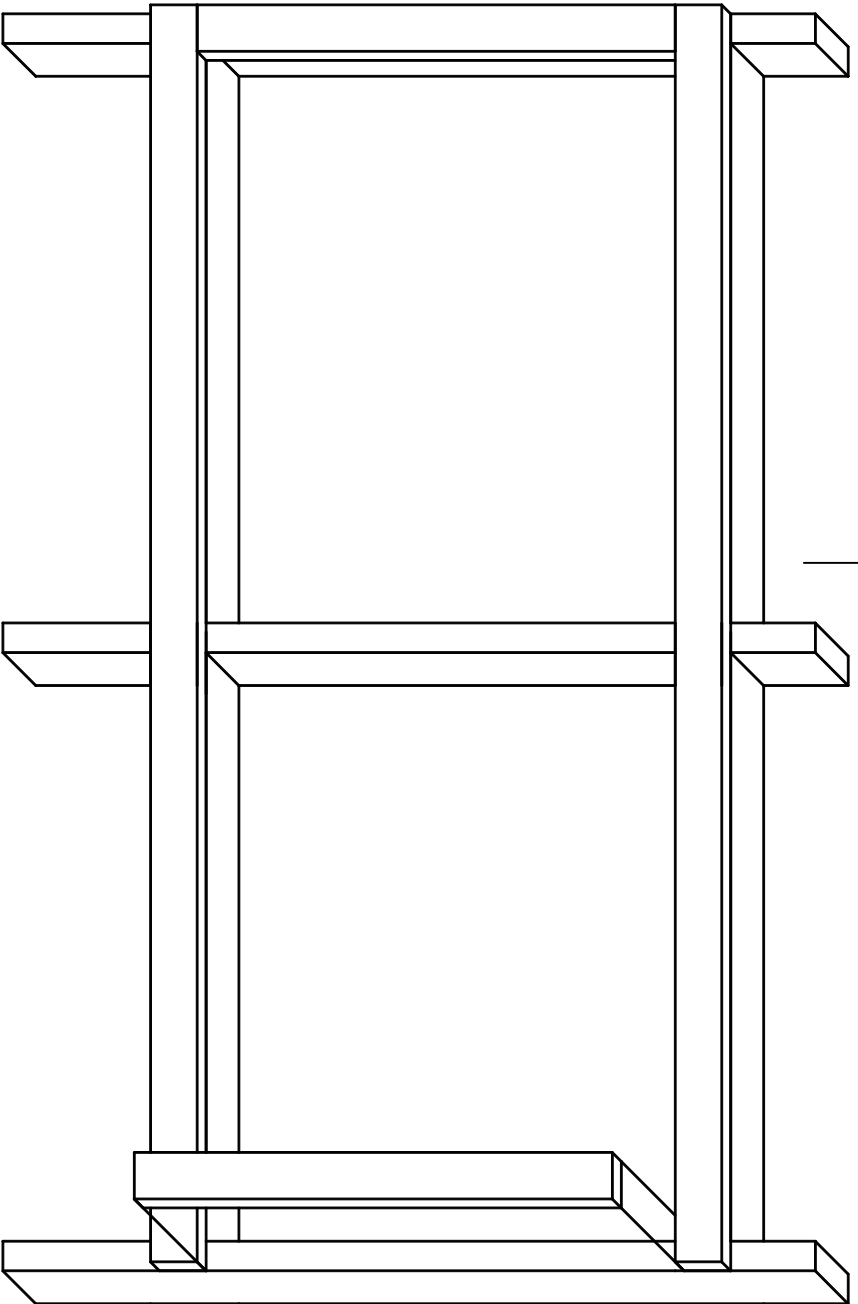
ELLISON & ELLISON CO.		Eagan Tunnel Door		
J. Ellison		Framing Step Three		
SIZE A	FSCM NO.	DWG NO. ED-102406	SCALE N/A	DATE 10/24/2006
			SHEET 4	OF 6
				REV

REVISIONS				
ZONE	REV	DESCRIPTION	DATE	APPROVED



2x4 or 2x6 filler added  
to the start of the  
framing

ELLISON & ELLISON CO.		Eagan Tunnel Door		
Framing Step Four		SIZE	FSCM NO.	DWG NO.
J. Ellison		A	N/A	ED-102406
		SCALE	10/24/2006	SHEET 5 of 6
				REV



2x4 or 2x6 filler at  
the end of the  
framing

REVISIONS				
ZONE	REV	DESCRIPTION	DATE	APPROVED

ELLISON & ELLISON CO.		Eagan Tunnel Door		
J. Ellison		Framing Step Five		
SIZE	FSCM NO.	DWG NO.	REV	
A		ED-102406		
SCALE	N/A	10/24/2006	SHEET	6 of 6